



Acousto-Optic Amplifier / Driver

Including: Basic Modulator Alignment

Instruction Manual

80oC Series

Key to model types: **80oC-m**

'o' indicates the base model standard frequency:

1	:	30-60MHz
2	:	60-100MHz
3	:	80-130MHz
4	:	125-175MHz
5	:	150-250MHz
5 (HF)	:	240-300MHz

'C' indicates case style

and where appended,

'm' indicates options (combinations possible)

1	:	1.2 Watt output
2	:	2 Watt output



1. GENERAL

The 80oC- series Power Amplifiers are Class A broadband RF amplifiers specifically designed for use with Isomet acousto-optic modulators and deflectors. The driver accepts a low level signal from a suitable frequency source such as the Isomet synthesizers.

Figure 2 is a block diagram of 80oC series amplifier.

The driver output power level is set by the Power Adjust potentiometer.

2. OPERATING INSTRUCTIONS

The Amplifier accepts an input signal of up to 0dBm (1mW, 640mVpp) and has a gain of 30+ dB.

The RF output is adjustable with the screwdriver power adjust on the unit.

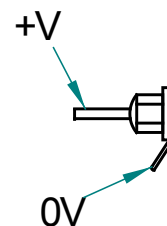
SERIOUS DAMAGE TO THE AMPLIFIER MAY RESULT IF THE TEMPERATURE EXCEEDS 70°C. SERIOUS DAMAGE TO THE AMPLIFIER MAY ALSO RESULT IF THE RF OUTPUT CONNECTOR IS OPERATED OPEN-CIRCUITED OR SHORT-CIRCUITED.

All 80oC series amplifiers require a stable DC power for operation. The required voltage is +15Vdc at a current drain of approximately 550mA. The external power source should be regulated to $\pm 2\%$ and the power supply ripple voltage should be less than 100mV for best results.

3. INSTALLATION AND ADJUSTMENT

3.1 Using M2.5 screws, install the Amplifier on a heat sink through the 2.6mm ID holes identified in figure 1. Use heat conducting compound between the Amplifier and mounting face and the heat sink.

3.2 With no DC power applied, connect the positive (+V) to the center terminal of the feed-thru terminal as shown in figure 1. Connect the 0V or ground connection to the earth tab.



DO NOT EXCEED +15Vdc or apply reverse polarity.



- 3.3 Connect the RF output SMB jack to an acousto-optic modulator (or 50Ω RF load, if it is desired to measure the RF output power).
- 3.4 Connect a 50ohm RF signal source to the RF input SMB jack.
To start, set input level at approximately 0.25mW (320mVpp).
- 3.5 Adjustment of the RF output power is best done with Amplifier connected to the acousto-optic modulator.

The optimum RF power level required for the modulator to produce maximum first order intensity will depend on the laser wavelength. Applying RF power in excess of this optimum level will cause a decrease in first order intensity (a false indication of insufficient RF power) and make accurate Bragg alignment difficult. It is therefore recommended that initial alignment be performed at a low RF power level.

If supplied as a set with a Synthesizer or VCO frequency source, the RF Power Adjust will be factory set and should not require readjustment. Section 3.6 is included for reference.

- 3.6 *(See note above) The PWR ADJ pot is a multi-turn type. Minimum power is when fully anti-clockwise (CCW). Use an insulated alignment tool or screwdriver, rotate the PWR ADJ potentiometer CCW at least 11 turns, then CW approximately 5 turns for ~ half maximum power.*
- 3.7 Apply DC power to the driver as appropriate for the model.
(Refer Amplifier Test Data Sheet)
- 3.8 Apply a ~ 0.25mW (320mVp-p) frequency signal to the RF IN input (e.g. from VCO or IMS)
- 3.9 Observe the diffracted first-order output from the acousto-optic modulator and the undeflected zeroth order beam. Adjust the Bragg angle (rotate the modulator) to maximise first order beam intensity.

Note: depending on RF power level, the diffraction efficiency may not exceed 20-30% at this point in the alignment procedure.

- 3.10 After the Bragg angle has been optimised, slowly increase the RF power until maximum first order intensity is obtained. However if the intensity reduces, then the initial RF power level could be too high and should be reduced immediately

RF power may be increased at the input source and/or using the Pwr Adjust Pot on the amplifier. To avoid saturation do not exceed 1mW (0dBm) input level.

The RF drive level for peak diffraction efficiency is described as the saturation power, 'Psat'. For a given AO design, Psat level is a function of the wavelength² and is provided on the AO Test Data sheet. In some cases Psat will exceed the safe CW rating of the AO device .

For applications using a well focussed input beam into the AOM, the correctly adjusted Bragg angle condition is indicated when the zero order shows a characteristic dark line through the middle of the beam at or near the Psat drive level.

4. MAINTENANCE

4.1 Cleaning

It is of utmost importance that the optical apertures of the deflector optical head be kept clean and free of contamination. When the device is not in use, the apertures may be protected by a covering of masking tape. When in use, frequently clean the apertures with a pressurized jet of filtered, dry air.

It will probably be necessary in time to wipe the coated window surfaces of atmospherically deposited films. Although the coatings are hard and durable, care must be taken to avoid gouging of the surface and residue of the cleaning solution. It is suggested that the coatings be wiped with a soft ball of brushed (short fibres removed) cotton, slightly moistened with clean alcohol. Before the alcohol has had time to dry on the surface, wipe again with dry cotton in a smooth, continuous stroke. Examine the surface for residue and, if necessary, repeat the cleaning.

4.2 Troubleshooting

No troubleshooting procedures are proposed other than a check of alignment and operating procedure. If difficulties arise, take note of the symptoms and contact the manufacturer.

4.3 Repairs

In the event of deflector malfunction, discontinue operation and immediately contact the manufacturer or his representative. Due to the high sensitive of tuning procedures and the possible damage which may result, no user repairs are allowed. Evidence that an attempt has been made to open the optical head will void the manufacturer's warranty.

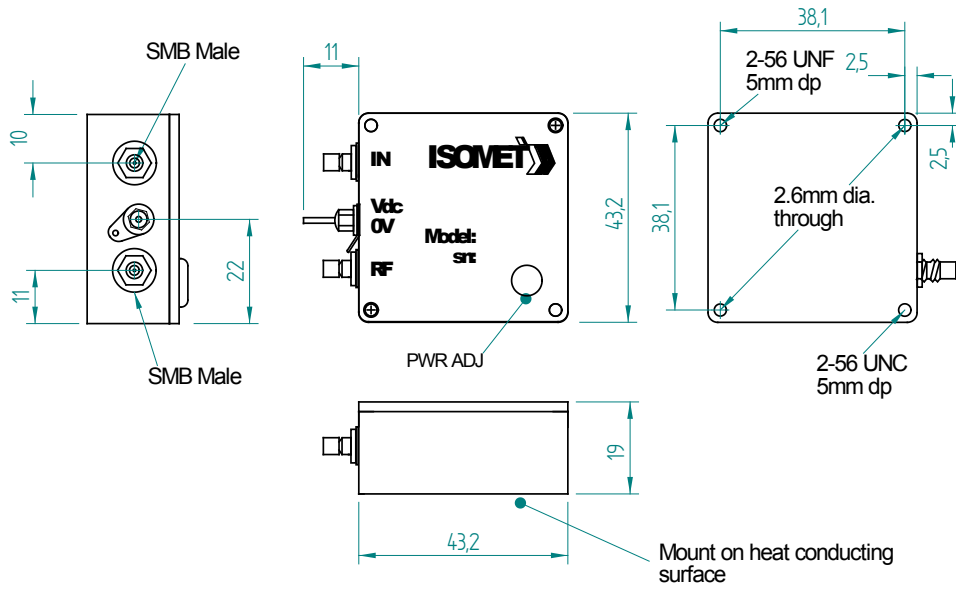


Figure 1: Driver Installation

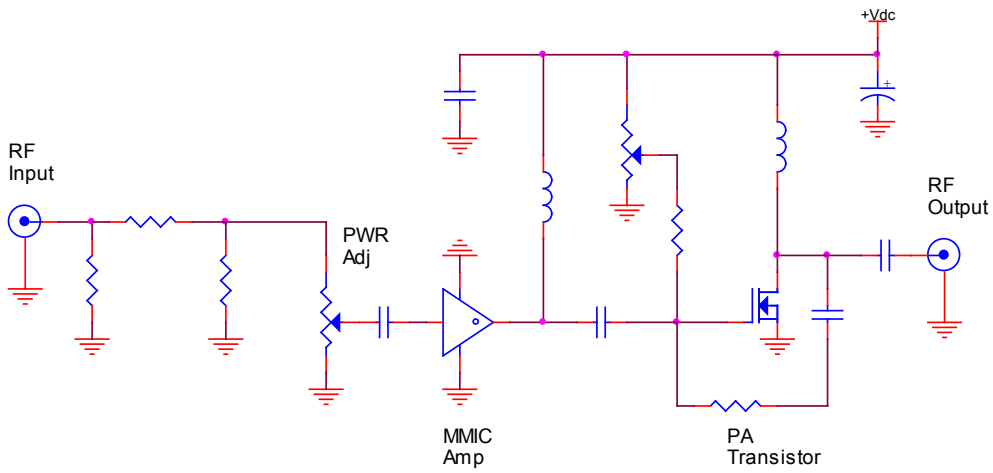
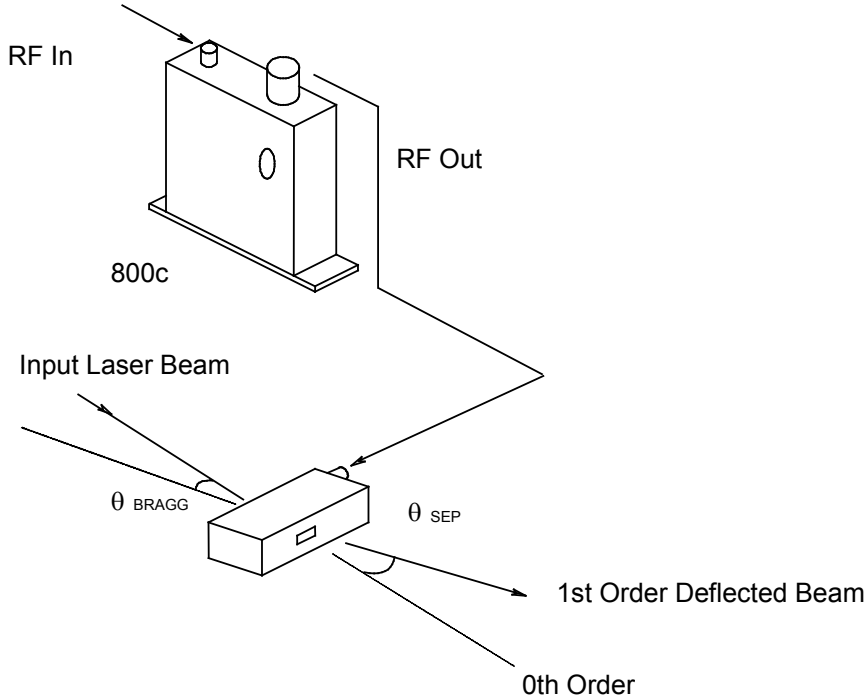


Figure 2: Driver Block Diagram

Schematic for an AO modulator with 800c series amplifier



The input Bragg angle, relative to a normal to the optical surface and in the plane of deflection is :

$$\theta_{BRAGG} = \frac{\lambda \cdot fc}{2 \cdot v}$$

The separation angle between the zeroth order and the first order outputs is :

$$\theta_{SEP} = \frac{\lambda \cdot fc}{v}$$

Optical rise time for a Gaussian input beam is approximated by :

$$t_r = \frac{0.65 \cdot d}{v}$$

where : λ = wavelength

fc = drive frequency

- v = acoustic velocity of AO interaction material = 4.21mm/usec (TeO₂)
- = 3.63mm/usec (PbMoO₄)
- = 5.70mm/usec (Quartz)
- = 5.96mm/usec (Fused Si)

d = $1/e^2$ beam diameter

Figure 3: AOM Basics